

# KARAG

bathroom experience...

## K1212 Manual installation and using instruction



1. This appliance is not intended for use by persons (including children) with reduced physical, sensory or mental capabilities, or lack of experience and knowledge, unless they have been given supervision or instruction concerning use of the appliance by a person responsible for their safety.

2. Children should be supervised to ensure that they do not play with the appliance

3: Connection requirement :

The appliance must be fitted with means for disconnection from the supply mains having a contact separation in all poles that provide full disconnection under overvoltage category III conditions and these means must be incorporated in the fixed wiring in accordance with the wiring rules.

4. the pressure of water 0.1MPa~0.4MPa.

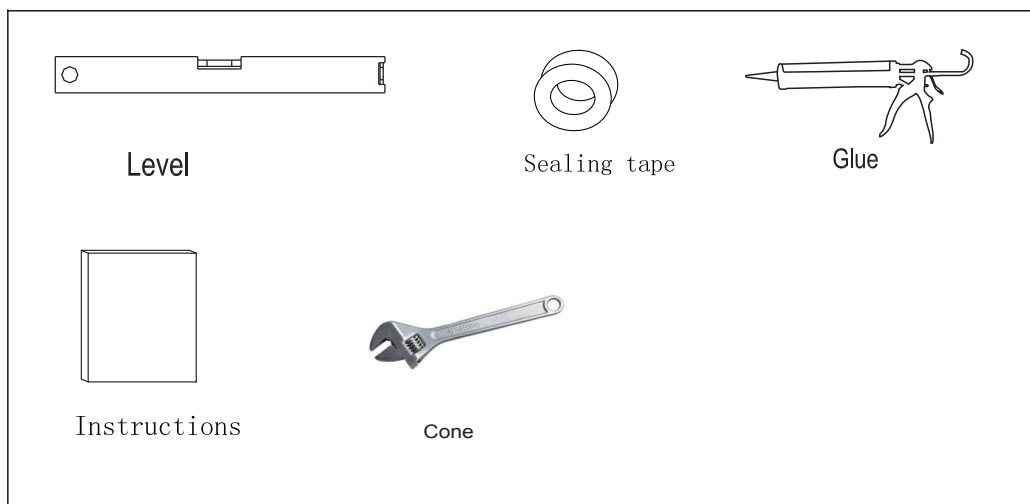
5.1: earthed appliances must be permanently connected to fixed wiring;

5.2: parts incorporating electrical components, except remote control devices, must be located or fixed so that they cannot fall into the bath;

5.3: the appliance should be supplied through a residual current device (RCD) having a rated residual operating current not exceeding 30 mA.

5.4: parts containing live parts, except parts supplied with safety extra-low voltage not exceeding 12 V, must be inaccessible to a person in the bath;

## Tool:



Please read the booklet carefully before using.

### 1, **Safety notice item:**

- Cardiopathy, hypertension and person who is unwell or after drinking, please no not use the massage bathtub to avoid risk happening.
- Children should be accompanied by the adult while using the massage bathtub.
- Power plug must be assembled with creepage protector and connected with the terra wire, and follows the rules to operate. Power socket must be install out of reach of water.
- The massage bathtub must be assembled by the careerman.
- When switch on the shower and linn faucet, please adjust the suitable water temperature firstly, to avoid scalding and destroy the products.
- Advisable water temperature: lower 60°C.

### 2, **Usage instruction:**

- Switch on the linn faucet/shower switch valve, switch on the cool water adjusting valve firstly, then switch on the hot water adjusting valve, adjust the suitable water temperature and water massage bathtub(Forbid to water the temperature higher 6 0°C hot water directly, or it will destroy the product), await the water line reach 2CM above jets, then press the air switch to switch on the water pump ( forbid to make the water pump running for a long timewithout water, or the water pump will destroy because of too high temperature), left-right surf adjuster can adjust the size of current; turn the jets to adjust single jet's current size to get the best massage impact.
- Finish using, eliminate the water in massage bathtub, then water suitable clear water, switch on the water pump to clean the massage bathtub pipeline.
- If you will not use the massage bathtub for a long time, please cut off the source and power of massage bathtub.

### 3, **Way of installation.**

- Level the ground and wall corner, connect cool & hot water hose correctly, assemble power socket and reference the size's parameter to prepare the drain outlet .
- Place the massage bathtub in the confirmed position, adjust all the underprop to make them meeting the ground and levelling.
- Immit a spot of water in massage bathtub, turning the drainer handle, await finishing draining, there is not any water in the massage bathtub more, or should repeat the step 2, until there is no water in bathtub.

- Connect the cool & hot water pipe correctly, insert the draining hose into the drainer, insert the power socket correctly.
- Place the massage bathtub in the position appressed to the wall., Seal the connective parts by silicone building sealant.
- Adjust all the function with water to check if all function are Ok

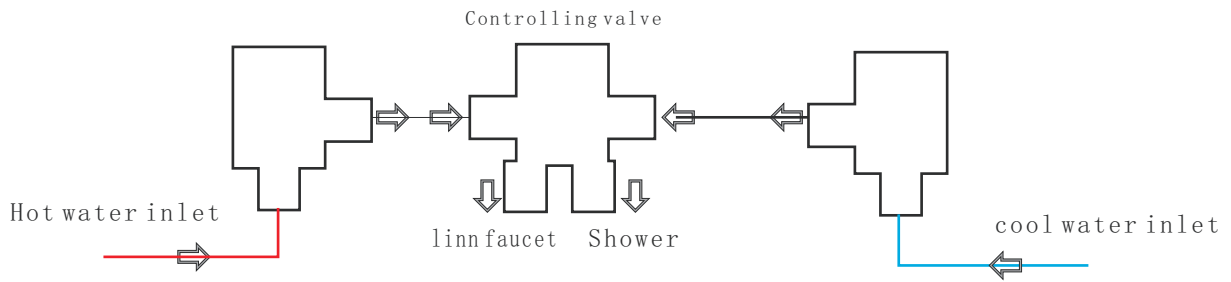
#### 4, Maintenance and maintain

- Daily cleaning with general liquid scour, please do not clean the bathtub with doughty acid, doughty alkali, latex , acetone and the chemical which containing methacrylic, formaldehyde, or it will make the bathtub face paled, or destroy the bathtub.
- Polish the face scar with 1000# levigation sand paper firstly, then polish with 1500# sand paper, polishing with soft cloth and toothpaste at last.
- Clean away the scale on the bathtub face with citric acid or vinegar.
- Scrape the stubborn blotch with sort cloth and toothpaste.
- After using for a long time,you can renew the bathtub with luster wax, it will make the product look likes a new one.

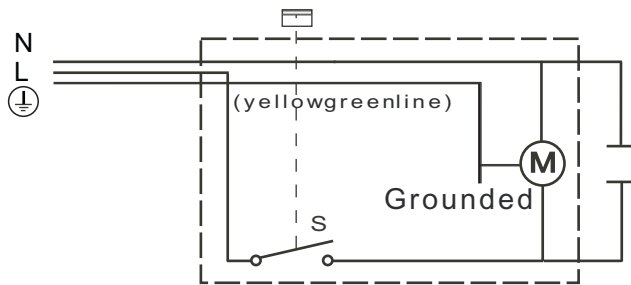
#### 5, Currently fault analyze

Fault phenomena	Fault analyzing	Fault obviating
Water pump can not be start up	1.the air hose which connected with the air pump switch was loosened.	Connect anew correctly.
	2.air pump switch was broken.	change
	3.power plug haven't been inserted correctly or power fault.	Obviate the supply of power fault.
	4.the water pump's impeller was locked by some sundries.	Take down the water recycle net and clean away the sundries.
	5. the water pump was broken.	Change a new water pump.
surfing can not adjust	1. Surfing adjustor was broken.	Change the sealed gasket inside the adjustor .
	2.The air hose of surfing adjustor loosen,leak air or jam.	Dredge and connect anew correctly.
make water	1. sealed washer aging and broken.	Change
	2.locked nut loosened.	Belock anew.
	3.connecting parts' latex aging.	Clean way the old latex and connect with new latex.
Shake acutely	1.grounded parts of bathtub hang in the air.	Adjusting all grounded parts and make them grounded correctly.
	2.water inlet jaming	ake down the water recycle net and clean away the sundries .
Water pump works but the bottom light is not light	1.bathtub bottom light short circuit	Obviating the circuitry fault
	2. bathtub bottom light is broken	Change the bathtub bottom light (forbid increasing power)
	3.transformer is broken.	Change the transformer( forbid minishing the rated power.)

## Controlling valve connecting illustration



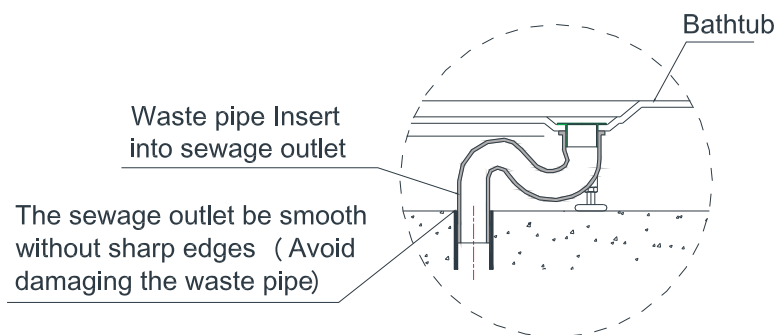
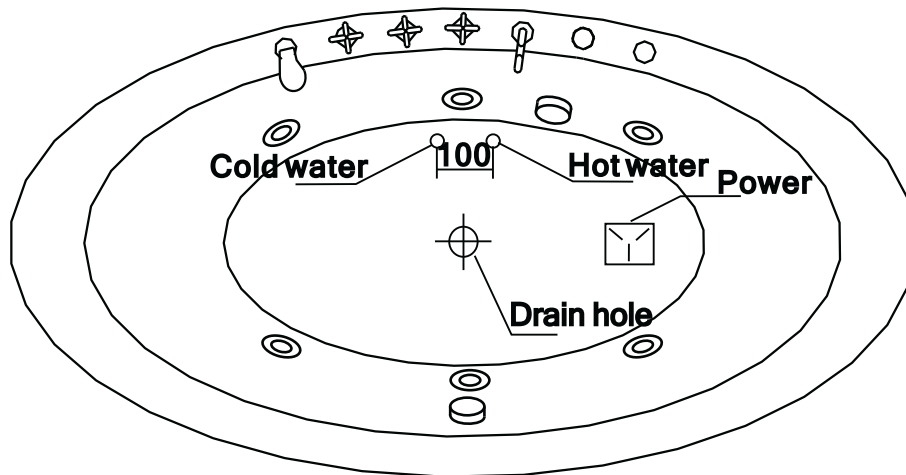
## Electric blueprint



S ----air pump switch

M----air pump or water pump

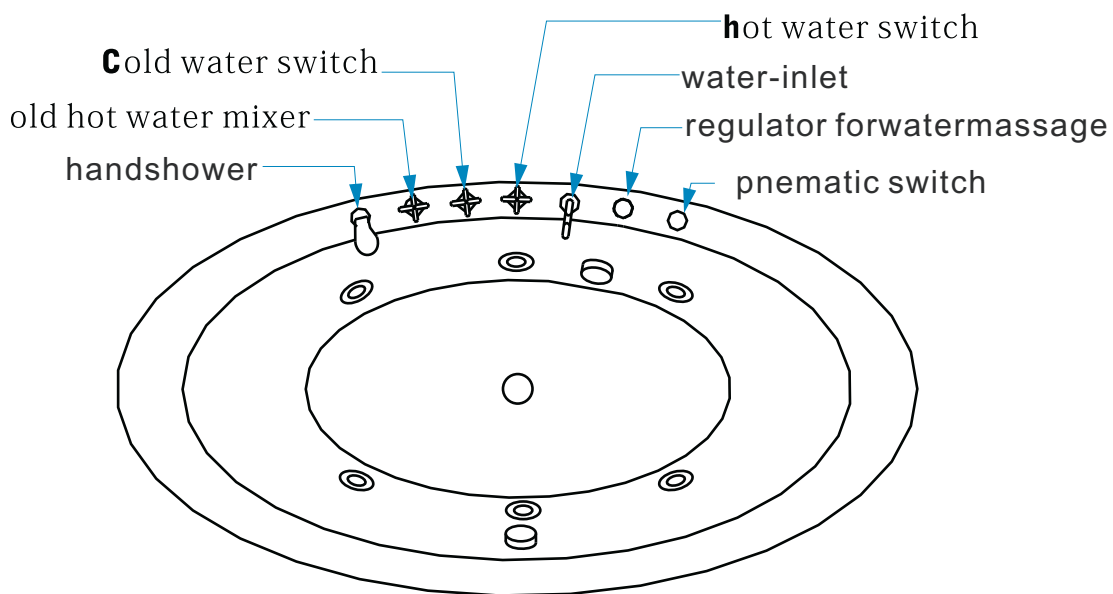
## Water and electric installation illustration



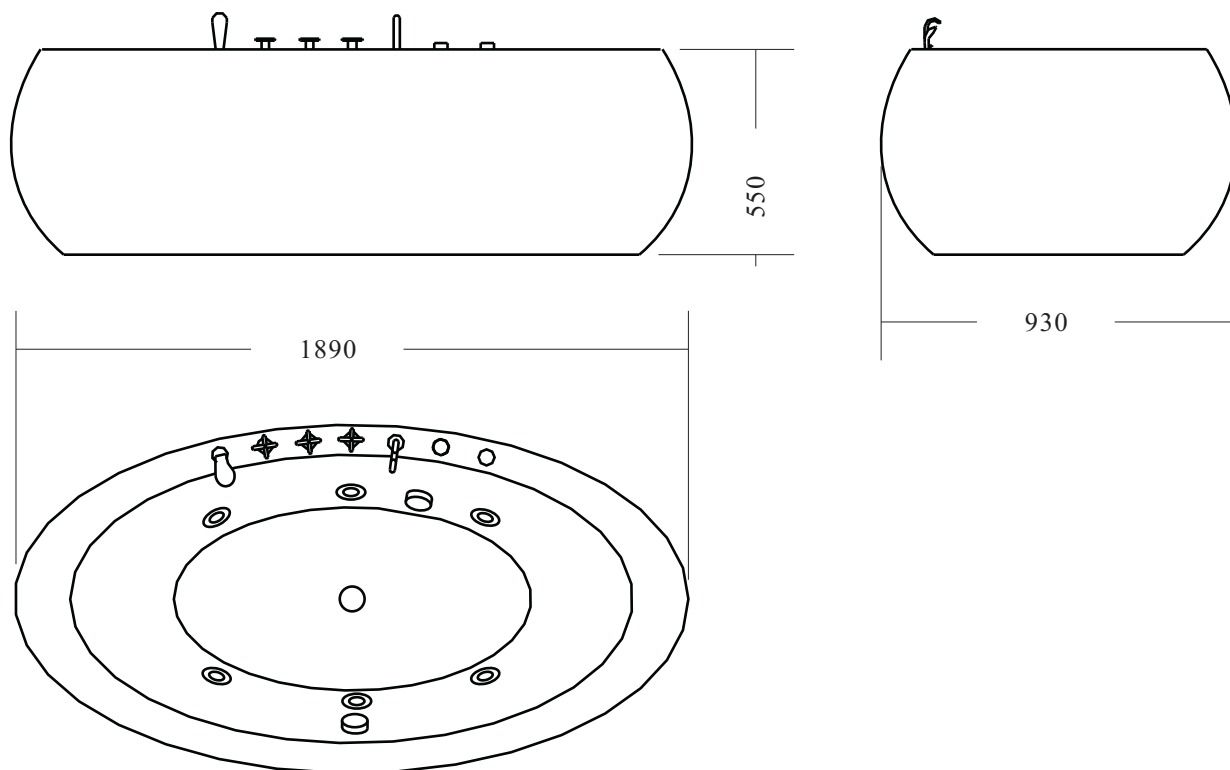
During installation, please avoid cutting the waste pipe with sharp objects (e.g. knife).

## Product parts

## K1212 Massage bathtub



## Reference size



## TECHNICAL DATA:

- 1、 Supply voltage: AC 220-240V 50Hz 750W
- 2、 Water proof scale: IPX5