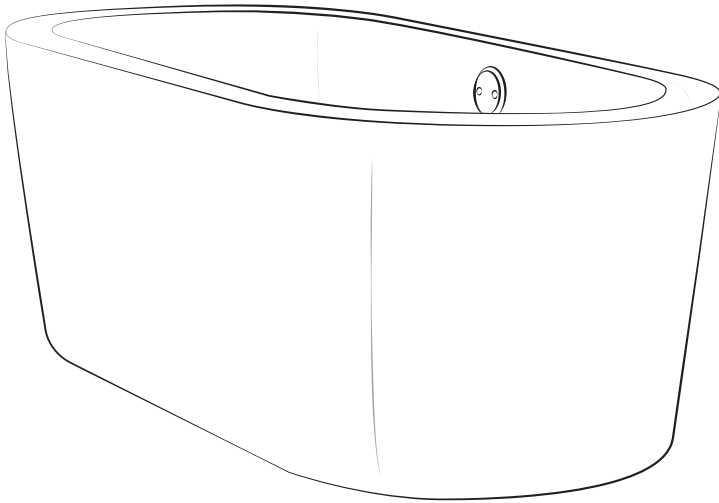


# KARAG

bathroom experience...



## Installation Instructions & Care

## WARNING



### CAUTION

- Risk of personal injury. Acrylic bath tubs are heavy. Obtain sufficient help to carefully lift or move the bath tub.
- Risk of property damage. Make sure that a watertight seal exists on all bath drain connections.

## IMPORTANT

All installations must comply with council and local authority by-laws. It is the responsibility of the installer to ensure that the waste is made watertight by means of silicone sealant or caulking compound.

**NOTE:** Bath can be installed after the wall is completed. Bath drain supplies should be arranged preliminarily according to the selected bath.

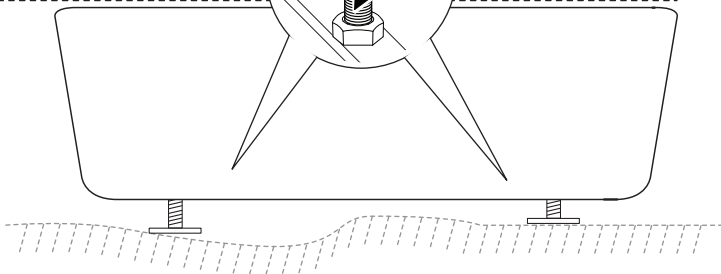
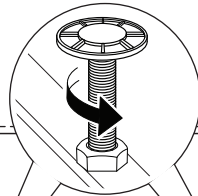
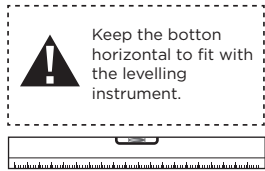
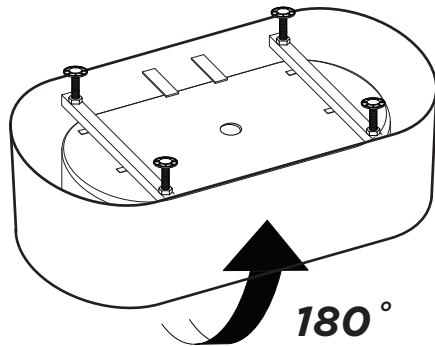
## BEFORE INSTALLATION

- ⌘ Before installation check that all fittings have been supplied.
- ⌘ Assembled bath on a mat to protect against damage to bath surface.
- ⌘ This product requires a two person lift-use proper lifting techniques.
- ⌘ This installation guide recommends a bath waste be fitted to the bath prior to installation - if any doubt about installation and waste connection please consult a qualified tradesmen.
- ⌘ Follow each step in turn.

## INSTALLATION PROCEDURE

1

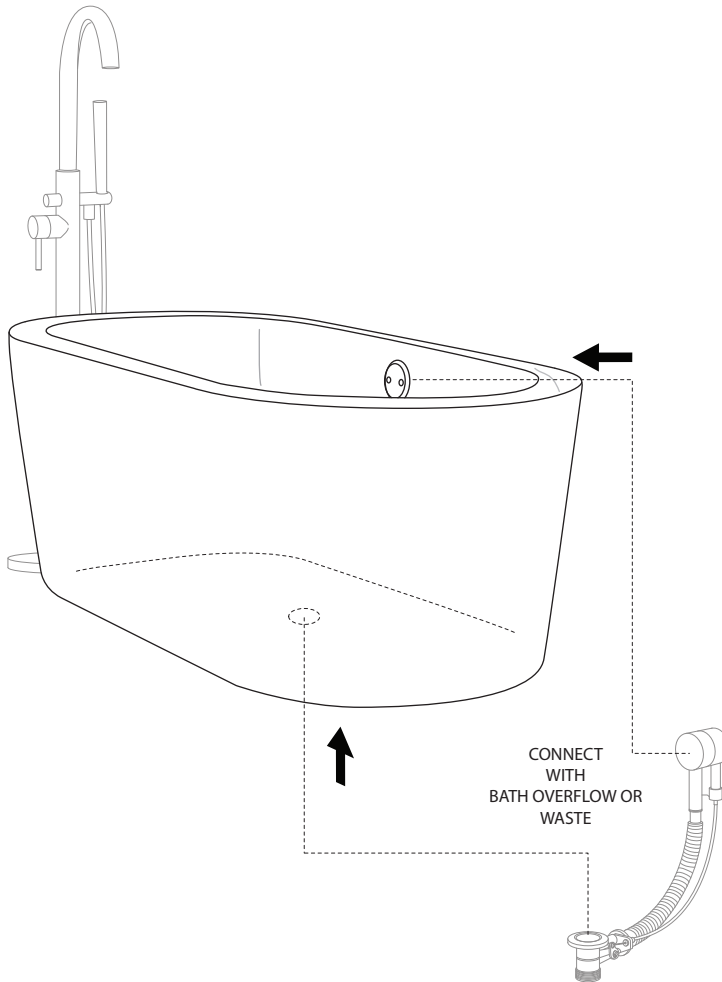
Turn over the bath.

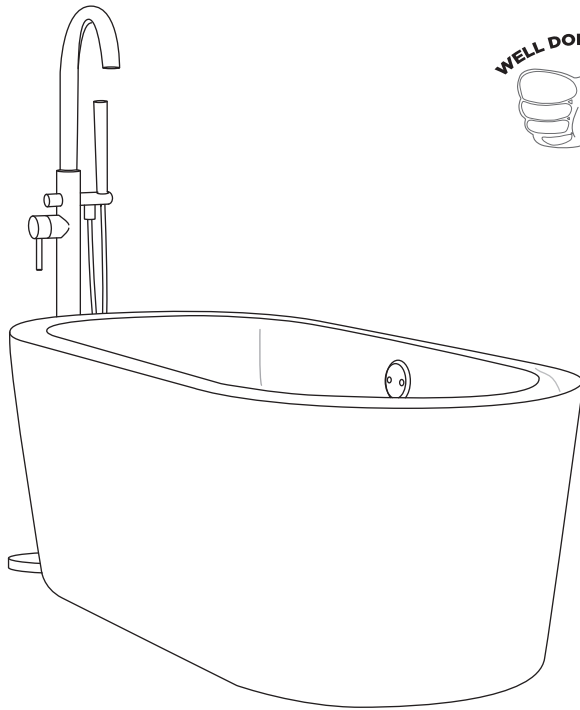


## INSTALLATION PROCEDURE

2

Please refer to the below diagrammatic sketch: the fitting position of tap overflow and waste.





## AFTER INSTALLATION

Run water into the bath and check connections for leaks.

## CARE & CLEANING

- Use a soft cloth or sponge for cleaning .Do not use any scouring pads like pot cleaners etc. as this will dull the surface.
- Use mild soap and water for everyday use.
- Do not use any abrasive cleaning materials.
- Do not use any disinfectants, aerosol cleaners, ammonia concentrates etc.
- Every few months give your bath a light polish with acrylic polish to restore the original sheen.