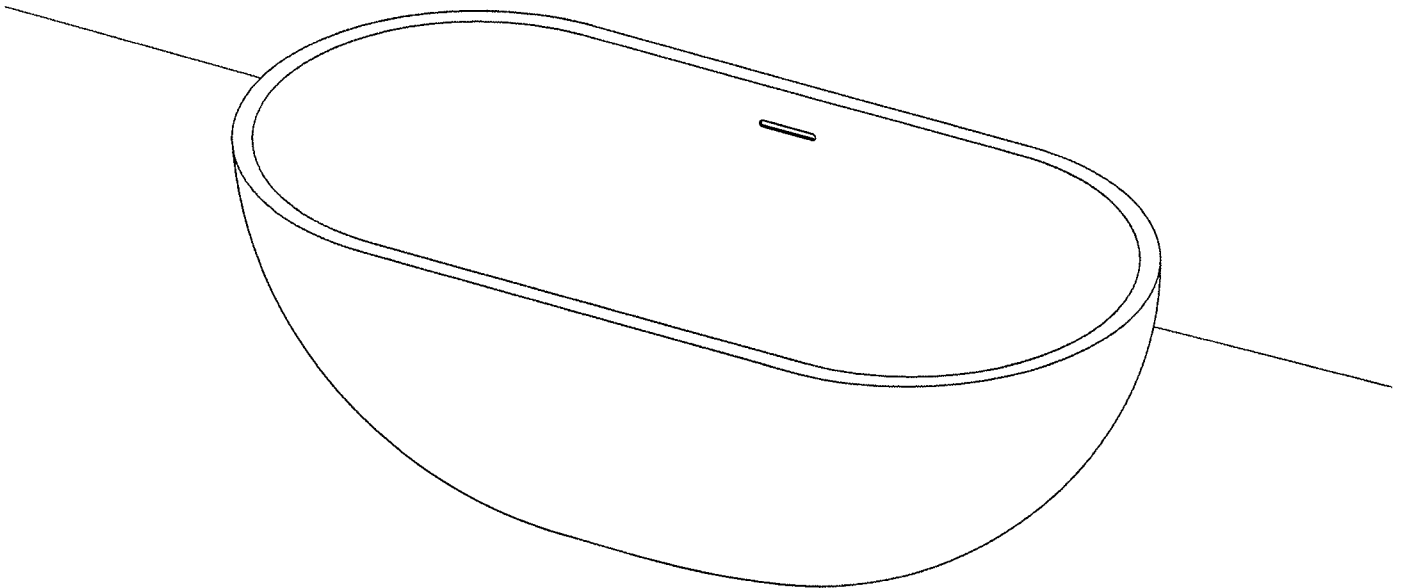


KARAG

bathroom experience...



FREESTANDING BATHTUB
WITH INTEGRATED OVERFLOW
NOTE

In case of a bath without internal overflow
the installer should take care of
an external overflow according to the national standard

MIXTURE OF RESINS AND MINERAL PARTS. NON POROUS, IDEAL FOR MAKING
BESPOKE PRODUCTS. DURABLE, EASY TO REPAIR, IT HAS NO SPECIAL
MAINTENANCE REQUIREMENTS.

INSTALLATION INSTRUCTION

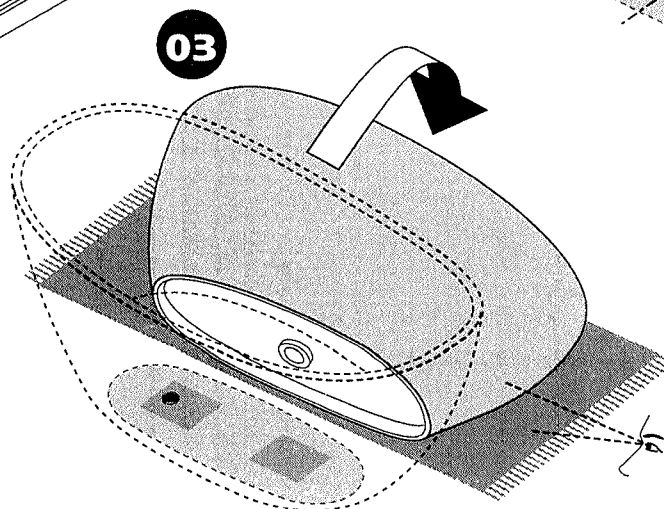
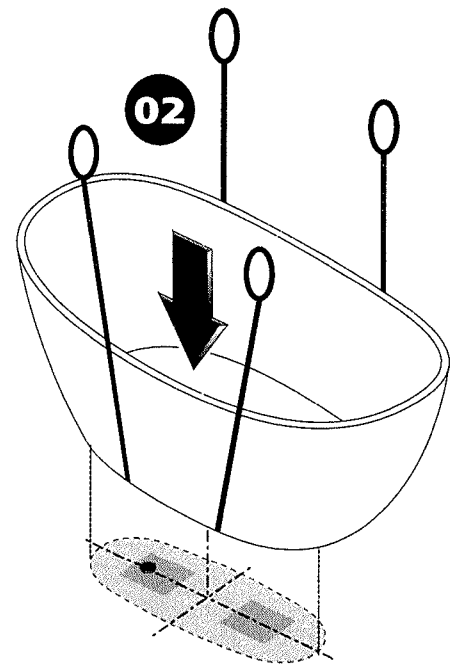
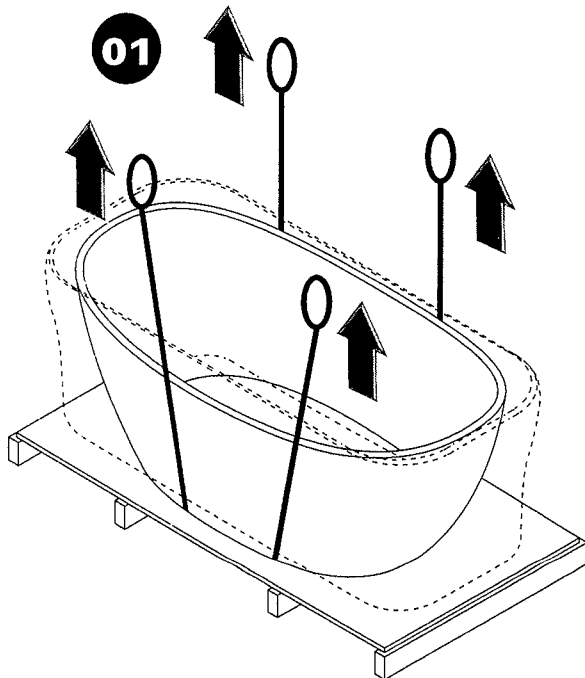
TECHNICAL INFORMATIONS

1. The installation of the bathtub must only be performed by qualified personnel. An improper installation void the warranty
2. The product is not covered by the warranty if the bathtub is installed by unqualified personnel and/ or there is a mechanical intervention in the Product.
3. Prior to installation of the bathtub, make sure it does not have any external damage. In case of noticing any defects do not proceed with the installation.
4. Prior to installation of the bathtub, the water supply and drainage must be prepared first.
5. It is recommended to examine the leveling of the surface the bathtub will be mounted on.
6. Each bathtub is covered with a protective film and foam in order to protect the product against mechanical damage.

7. The bathtub installation procedure may differ from the one presented in this manual; environment can have an impact on the degree of difficulty of the installation.
8. Remove the protective film when the bathtub is fully installed.
9. More detailed information can be found in this installation instruction.

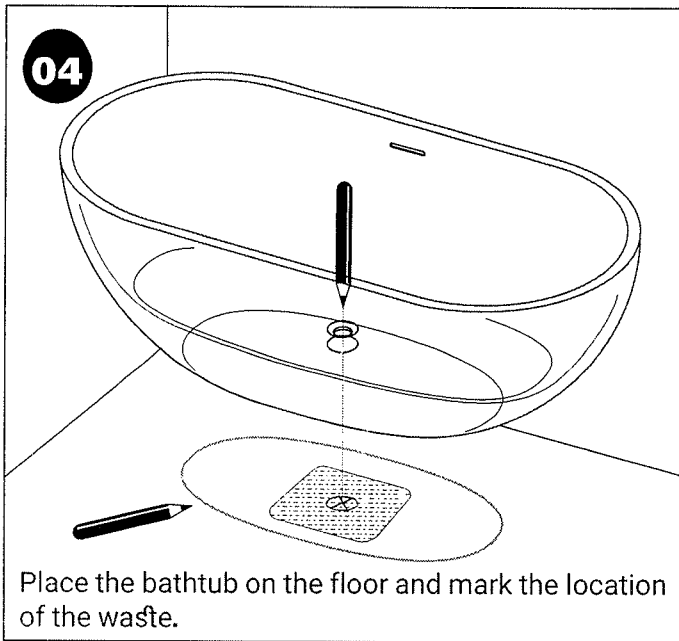
WARNING !

Prior to installation of the bathtub, it is recommended to assemble the trap first in order to examine if the trap protrudes beyond the lower edge of the bathtub. If so, it is necessary to forge a suitable recess in the floor, in order to avoid the bathtub resting on the trap.



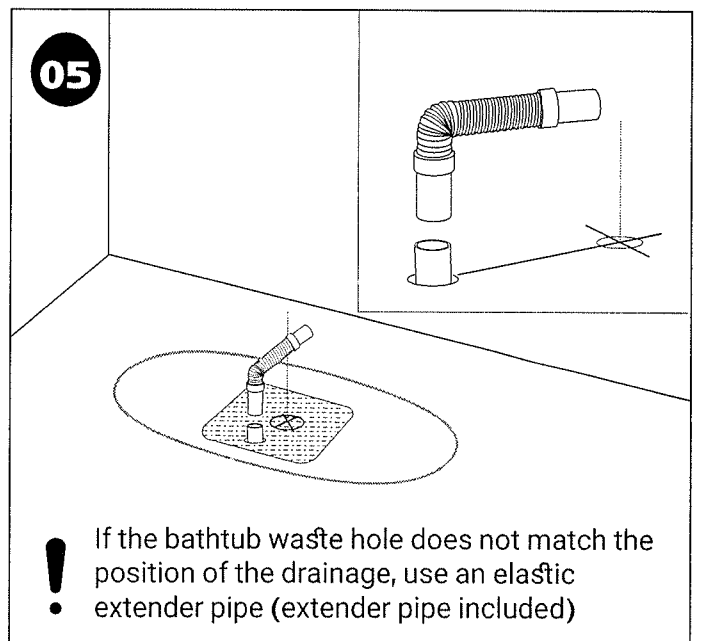
INSTALLATION INSTRUCTION

04



Place the bathtub on the floor and mark the location of the waste.

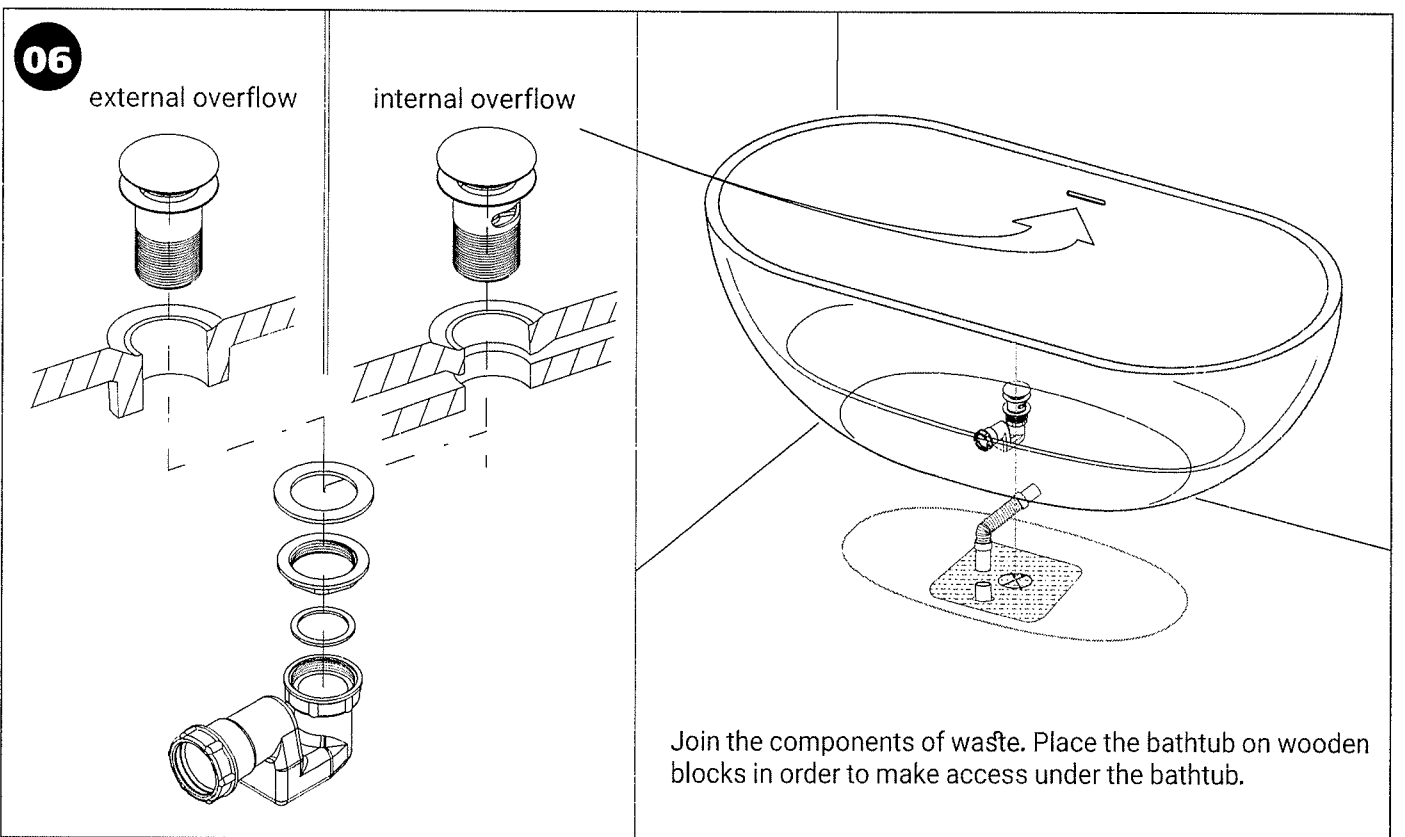
05



! If the bathtub waste hole does not match the position of the drainage, use an elastic extender pipe (extender pipe included)

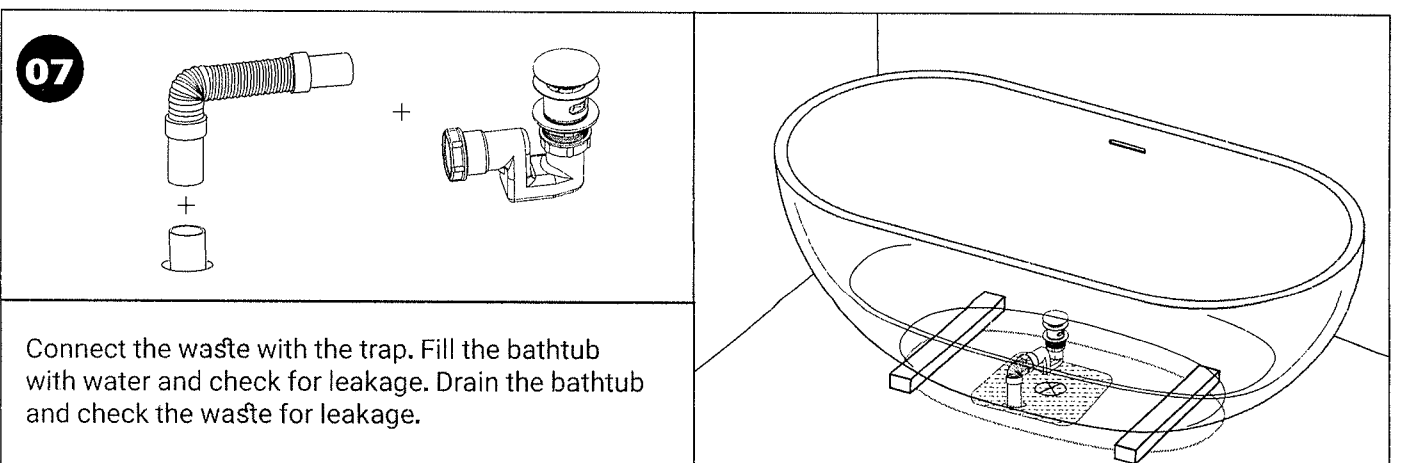
06

external overflow internal overflow



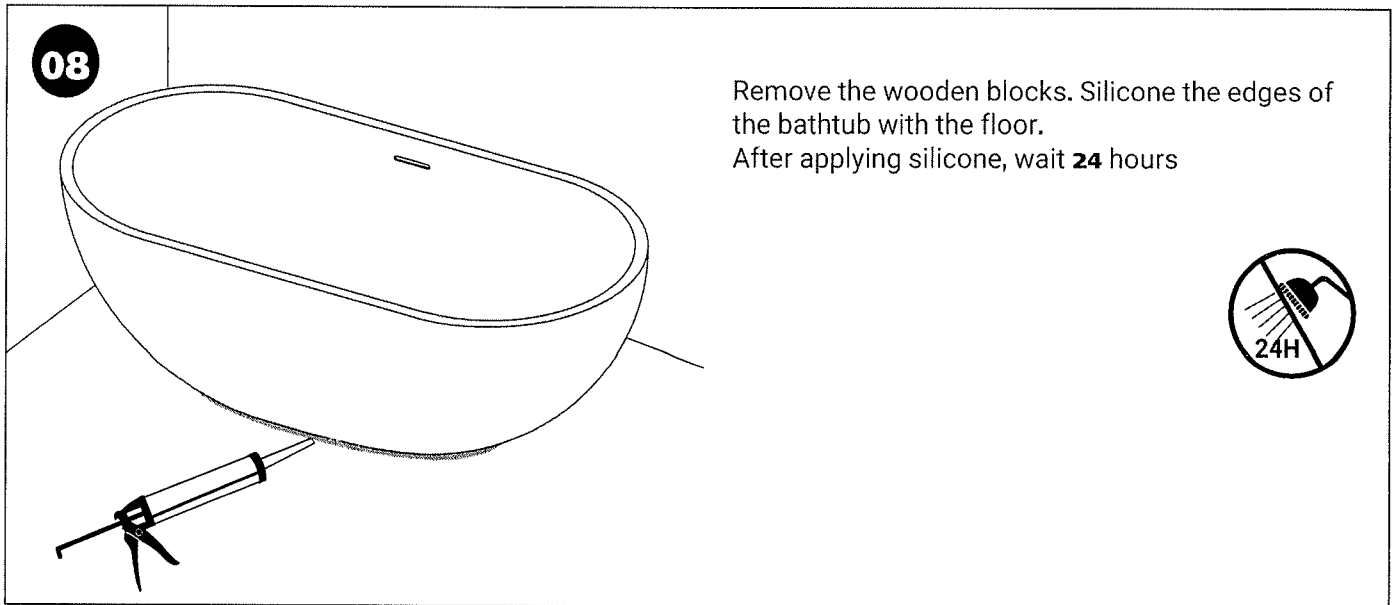
Join the components of waste. Place the bathtub on wooden blocks in order to make access under the bathtub.

07



Connect the waste with the trap. Fill the bathtub with water and check for leakage. Drain the bathtub and check the waste for leakage.

INSTALLATION INSTRUCTION



CLEANING AND MAINTENANCE RULES

RECOMMENDATIONS

1. The product should be regularly cleaned with a damp cloth with a mild detergent cleaner.
2. The product with glossy finish should not be cleaned with granular cleaning agents - this may cause permanent damage of the surface (the sanitary layer may become matte).
3. The product is sensitive to the following chemicals: soda lye (mainly present in drain openers), strong solvents such as acetone, methanol, methylene chloride, potassium permanganate, as well as various agents containing dye.
4. **Warning!** Hair dye, "coloured" cosmetics (such as mascara, lipstick, face powder etc.) can create slight discoloration if not removed immediately from the surface of the product.
5. Water temperature should not exceed **65** degrees Celsius.
6. Do not allow limescale to deposit on the surface. Such stain should be removed with widely available cleaning agents (containing no dye) designed for that purpose.
7. In case of small scratches on the Product with glossy finish, it is recommended to use widely available polishing paste and cream intended for the care of automobile body.
8. In case of damage such as cracks or deep scratches, it is recommended to purchase from the Seller a repair kit and follow the instructions provided.
9. In the case of the Products equipped with waste cover, pay extra attention to the care and maintenance of the space under the cover. It is recommended to clean the bottom of the cover and the place where the surface of the Product and the cover are in contact at least once a week.
10. It is recommended to fill the bathtub with water to **2/3** of its height.
11. It is recommended to choose a faucet with a respectively long spout, so that the stream of water is not directed onto internal walls of the bathtub.

WARNING !

Wet surface of the bathtub poses a potential danger of slipping. The risk is increased when using soap, shampoo, oils or other similar products.

