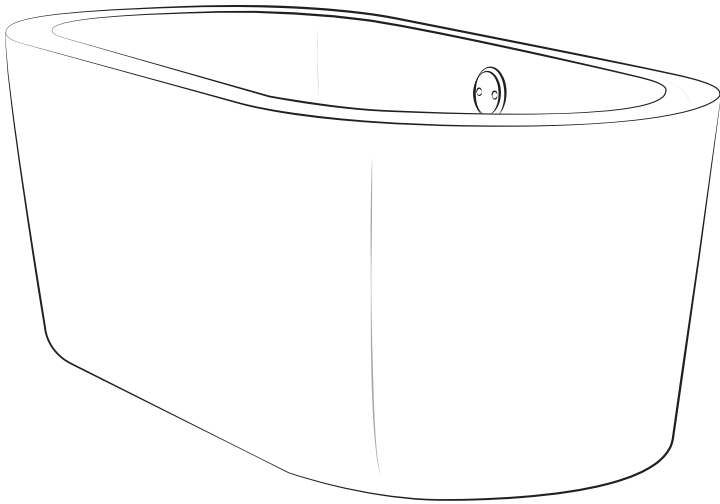


KARAG



BATHTUB DANAE
INSTALLATION & CARE INSTRUCTIONS

www.karag.gr

WARNING



CAUTION

Risk of personal injury. Acrylic bath tubs are heavy. Obtain sufficient help to carefully lift or move the bath tub.

Risk of property damage. Make sure that a watertight seal exists on all bath drain connections.

IMPORTANT

All installations must comply with council and local authority by-laws. It is the responsibility of the installer to ensure that the waste is made watertight by means of silicone sealant or caulking compound.

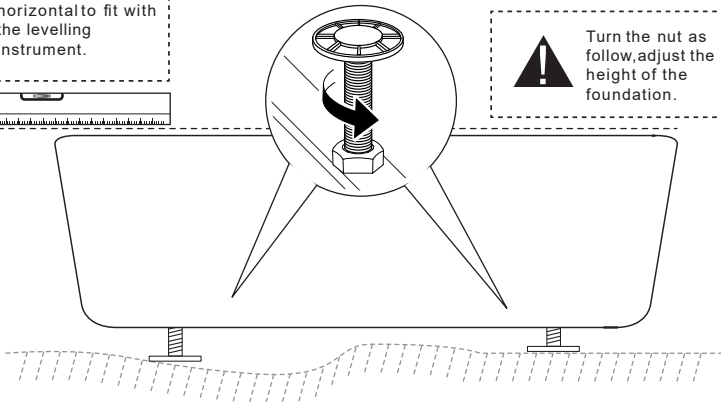
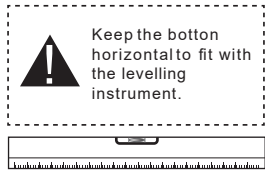
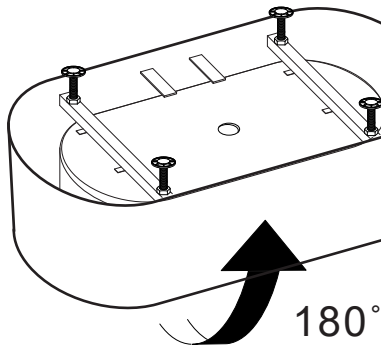
NOTE: Bath can be installed after the wall is completed. Bath drain supplies should be arranged preliminarily according to the selected bath.

BEFORE INSTALLATION

- ⌘ Before installation check that all fittings have been supplied.
- ⌘ Assembled bath on a mat to protect against damage to bath surface.
- ⌘ This product requires a two person lift-use proper lifting techniques.
- ⌘ This installation guide recommends a bath waste be fitted to the bath prior to installation - if any doubt about installation and waste connection please consult a qualified tradesmen.
- ⌘ Follow each step in turn.

INSTALLATION PROCEDURE

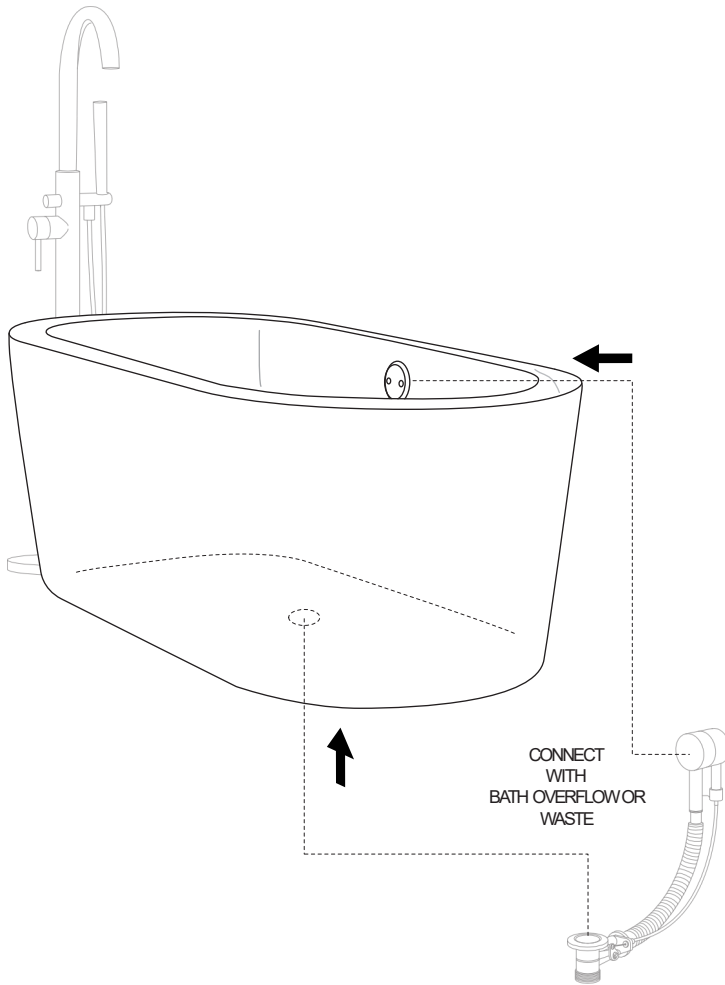
1 Turn over the bath.

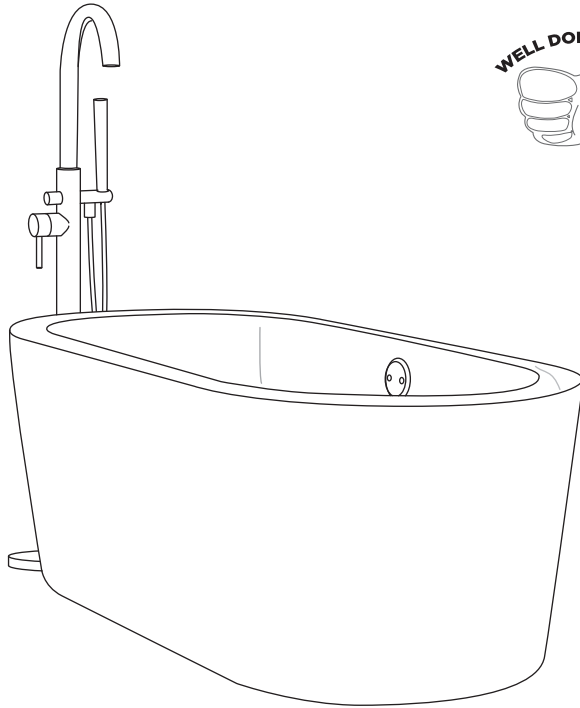


INSTALLATION PROCEDURE

2

Please refer to the below diagrammatic sketch: the fitting position of tap overflow and waste.





AFTER INSTALLATION

Run water into the bath and check connections for leaks.

CARE & CLEANING

- Use a soft cloth or sponge for cleaning .Do not use any scouring pads like pot cleaners etc. as this will dull the surface.
- Use mild soap and water for everyday use.
- Do not use any abrasive cleaning materials.
- Do not use any disinfectants, aerosol cleaners, ammonia concentrates etc.
- Every few months give your bath a light polish with acrylic polish to restore the original sheen.